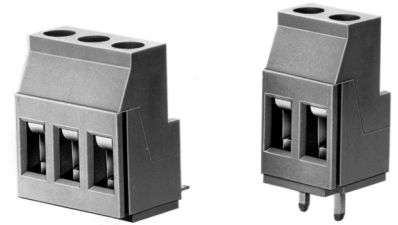


# PRINTED CIRCUIT CONNECTORS TYPE GSK 840



■ with Cable Cage Contacts, 2 and 3way interlockable, Pin Spacing 5.00 mm and 10.00 mm

Approvals									
Nominal Cross-Section mm <sup>2</sup>	2,5					2,5	12-22 AWG 20 amp.	12-28 AWG 25 amp.	
Voltage Rating* V	250					250	300	300	

\* Kindly note the required creepage and clearance distances between the soldering points at the P.C. board when fitting the connectors.

These connectors with cable cage contacts have got three important advantages: a large clamping space of up to 4 mm<sup>2</sup> suitable for all kind of conductors, screw tightening torque is not directly transmitted to the solder pin, "Finger Safety Guard" to VDE and VBG.

These 2- and 3way connectors can easily be interlocked to any required lengths. We are also in a position to supply completed units.

Up to 6 poles connectors with pin spacings of 5.00 mm also fit hole distances of 5.08 mm.

### ■ GSK 840 V, with Vertical Solder Pins

Solder pins and screws in vertical position (for assembly) - conductors to be inserted from the front.

### ■ GSK 840 H, with Horizontal Solder Pins

Solder Pins in vertical, screws in horizontal position (for assembly) - conductors to be inserted from above.

### ■ GSK 840, with and without Bottom Lid

Besides the standard version with bottom lid, type GSK 840 is also available without bottom lid (GSK 840 VO and GSK 840 HO).

### ■ Marking

If required, these connectors can also be supplied with printing. Regular printing including 1 to ..., special printing upon request.

### ■ Technical Data

Mouldings: PBT, GV 30, blue  
Tracking resistance PTI 250  
Continuous working temp.: 120° C  
Short-time temperature: 200° C  
Flammability to UL 94: V0

Inserts: Brass, nickel plated

Solder Contacts: Brass, tinned

Screws: M 3 x 6 mm  
Steel, zinc plated, yellow chromed  
⌚ max. 0.5 Nm

Current Rating: to EN 60 335-1 : 16 A  
to EN 60 998 : 24 A

Conductor Size: 0.5 to 4.0 mm<sup>2</sup>

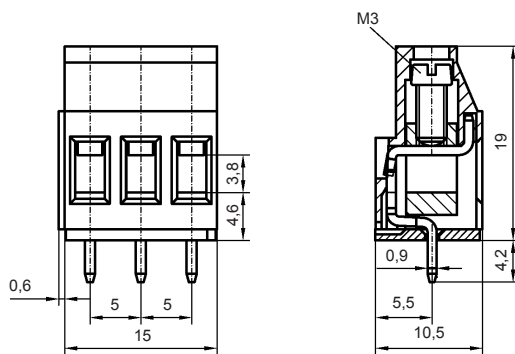
Stripping Length: 7.5 - 8 mm

Mounting Hole: 1.3 mm

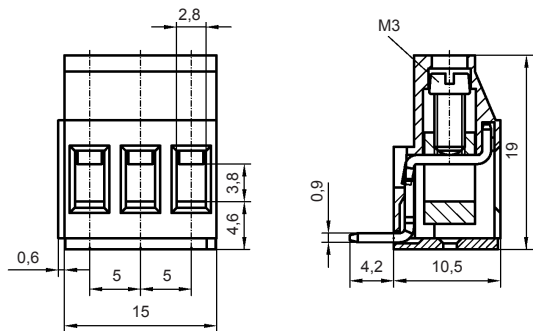
### GSK 840 E - Earthing Connectors 25 A

2- to 5way connectors with bridged contacts to make earth connection according to EN 60 335 (two separate solder terminals) Quotation upon request.

**GSK 840 V (vertical Solder Pins)**



**GSK 840 H (horizontal Solder Pins)**



GSK 840 V, vertical Solder Pins				GSK 840 H, horizontal Solder Pins					
		Order No.				Order No.		Kgs. per 100 Pcs.	
List No./ No. of Ways	Pin Spacing	GSK 840 V with Bottom Lid	GSK 840 VO without Bottom Lid	List No./ No. of Ways	Pin Spacing	GSK 840 H with Bottom Lid	GSK 840 HO without Bottom Lid	V, H	VO, HO
GSK 840 V/2	5,00	33 20 02	33 21 02	GSK 840 H/2	5,00	33 24 02	33 25 02	0,44	0,42
GSK 840 V/3	5,00	33 20 03	33 21 03	GSK 840 H/3	5,00	33 24 03	33 25 03	0,66	0,63
GSK 840 V/2-1	10,00	33 30 01	33 31 01	GSK 840 H/2-1	10,00	33 34 01	33 35 01	0,27	0,25
GSK 840 V/3-2	10,00	33 30 02	33 31 02	GSK 840 H/3-2	10,00	33 34 02	33 35 02	0,49	0,46

For packing units please see pricelist.

